

**AXOR Universal Softsquare  
Shelf 12"**

Finishes : Part no. : **42838820**



**Features**

- Wall-mounted
- For rail mounting, requires 2x # 42870XXX (for asymmetric installation, only one set is needed)
- Mounting possible with toilet paper roll holder #42836XXX (adaptor #42870XXX necessary)
- Material frame: solid Brass
- Material shelf: Safety glass
- With mounting material
- Concealed fastening
- Diameter of drilled hole: 6 mm
- Suitable for installation inside shower compartment

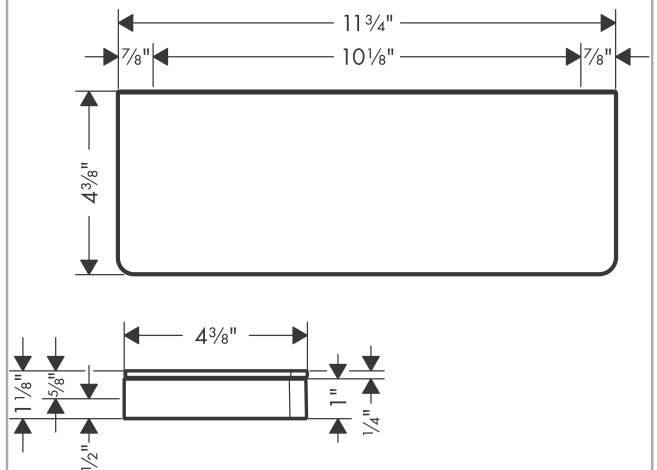
**Item details**

List Price \$ 557.00

**Product image**



**Scale drawing**



## AXOR Universal Softsquare

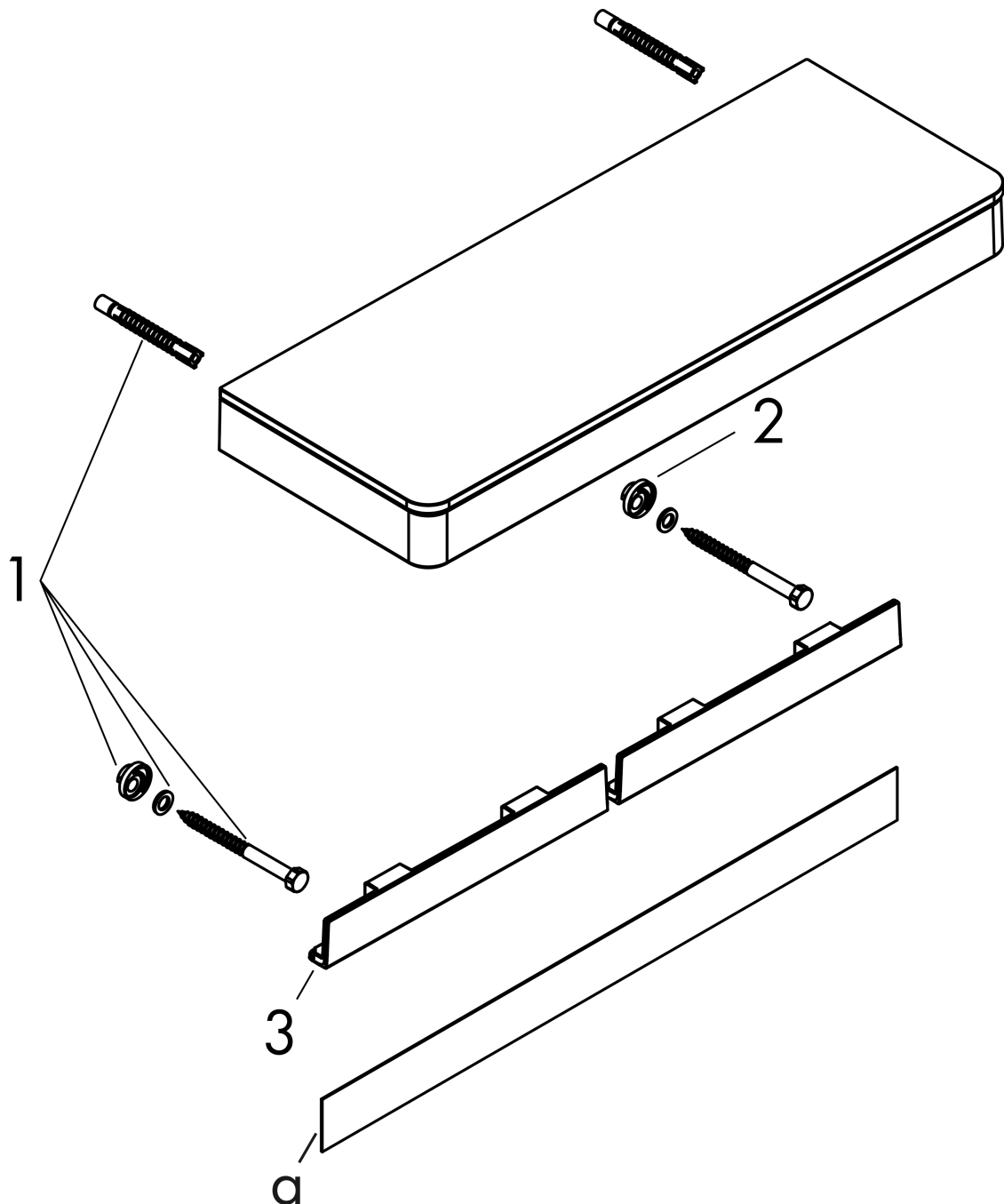
Shelf 12"

Finishes : Part no. : 42838820



### Exploded drawing

Year of production: >02/16



**AXOR Universal Softsquare  
Shelf 12"**

Finishes : Part no. : **42838820**



## Spare parts list

Year of production: >02/16

Pos.		Part no.	Price	PU
1	mounting set	92841000	-	1
2	excentric socket	97604000	-	1
3	cover	92427820	-	1
a	cover	42891820	-	1
b	set of adapters	42870820	-	1